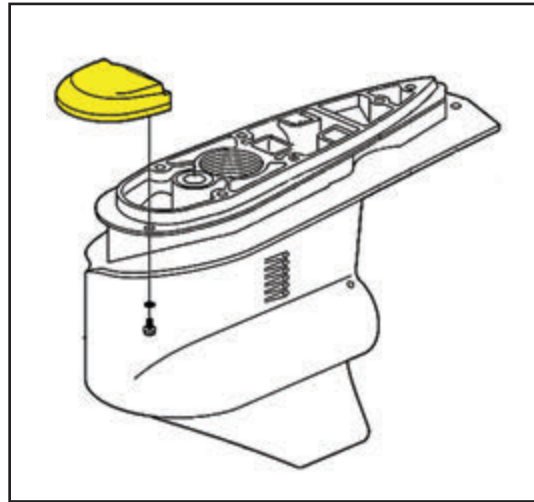
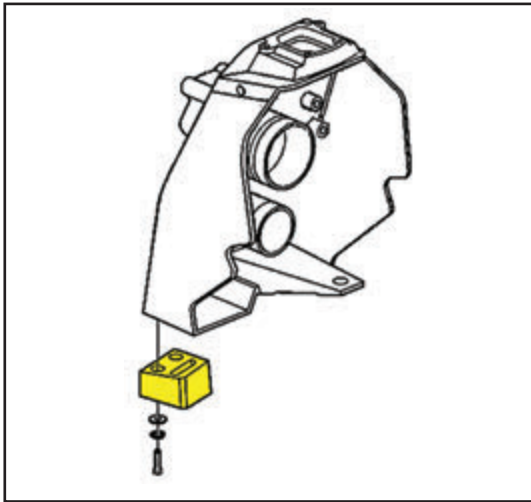


FOR SALT & BRACKISH WATER • PARA SAL Y AGUA SALOBRE • POUR LE SEL ET L'EAU SAUMÂTRE

*The Quality
Choice*

INSTALLATION • INSTALACIÓN

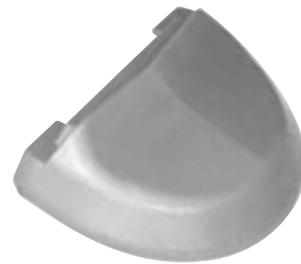
Model 95341



INCLUDES • INCLUYE • INCLUDE



- Block anode for gimbal housing (1)



- Anode plate for top of ventilation plate (1)

(Screws Included)