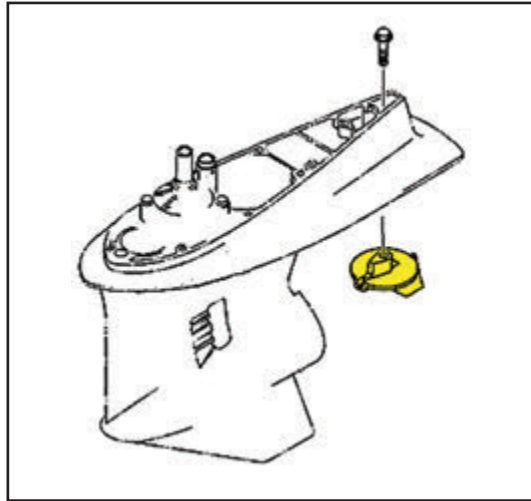
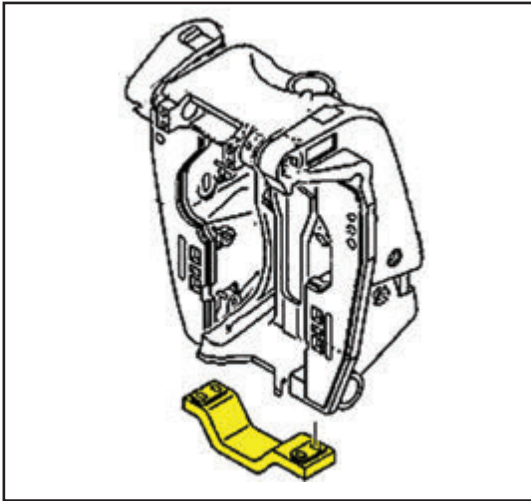


FOR SALT & BRACKISH WATER • PARA SAL Y AGUA SALOBRE • POUR LE SEL ET L'EAU SAUMÂTRE

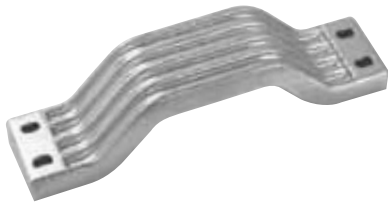
*The Quality  
Choice*

## INSTALLATION • INSTALACIÓN

**Model 95231**



## INCLUDES • INCLUYE • INCLUDE



- **Block anode for gimbal housing (1)**

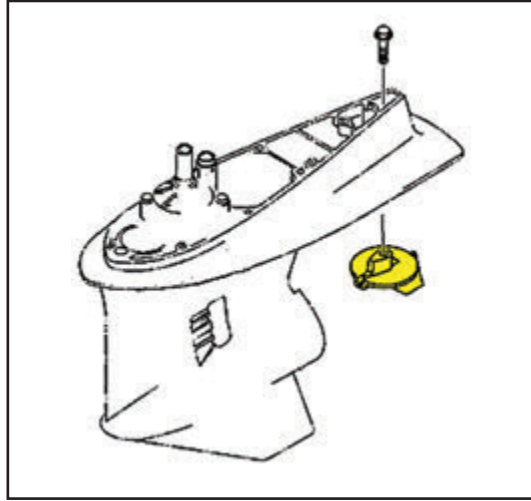
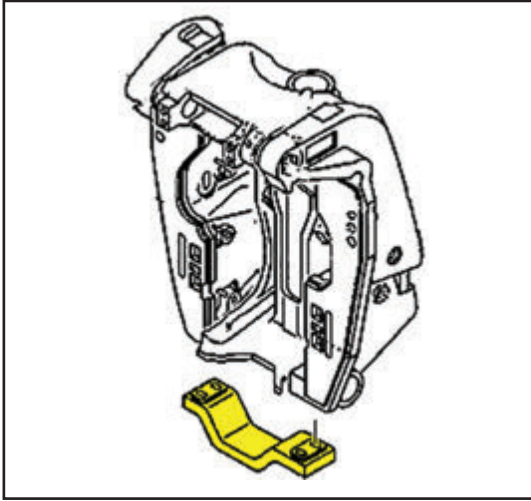


- **Skeg for ventilation plate (1)**

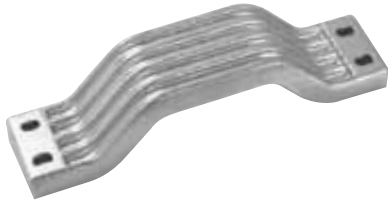
*The Quality  
Choice*

## INSTALLATION • INSTALACIÓN

**Model 95241**



## INCLUDES • INCLUYE • INCLUDE



- **Block anode for gimbal housing (1)**



- **Skeg for ventilation plate (1)**