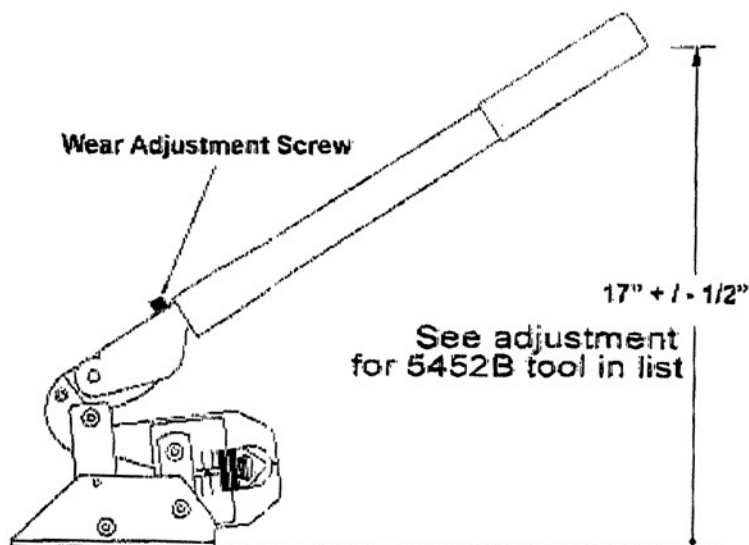


SET TOOL PRELOAD.

THIS PROCEDURE IS ONLY REQUIRED AFTER EXTENSIVE USE HAS OCURRED AND WEAR NEEDS TO BE COMPENSATED FOR.

1. Open tool fully.
2. Move handle until jaw tips just touch.



3. Measure distance between handle and bench.
When properly adjusted, distance between inside edges of grip and bench is 17" +/- 1/2" for 5050B Tool

Note: distance is 15 +/- 1/2" for 5452B Tool.

4. To increase distance, turn adjusting screw clockwise. Turn adjusting screw counter clockwise to reduce distance.

WARNING

Operation of tool with improper adjustment will cause improper crimp and may damage adjustment screw.

Tool must be open to turn adjusting screw.