



A - Platform

Note: Two step ladder is shown just for representative purposes. The instructions for all step types are the same.



B - Grab Rail



C - Support Brace



D - Angle Bracket



E - Caution Label



F - #10-24 x 2" O.H. Bolt



G - #14 x 1 1/2" Screws



H - 1/4-20 x 2 1/2" Hex Bolt



I - 1/4-20 x 2 1/2" Carriage Bolt



J - #10-24 x 1 1/2" O.H. Bolt



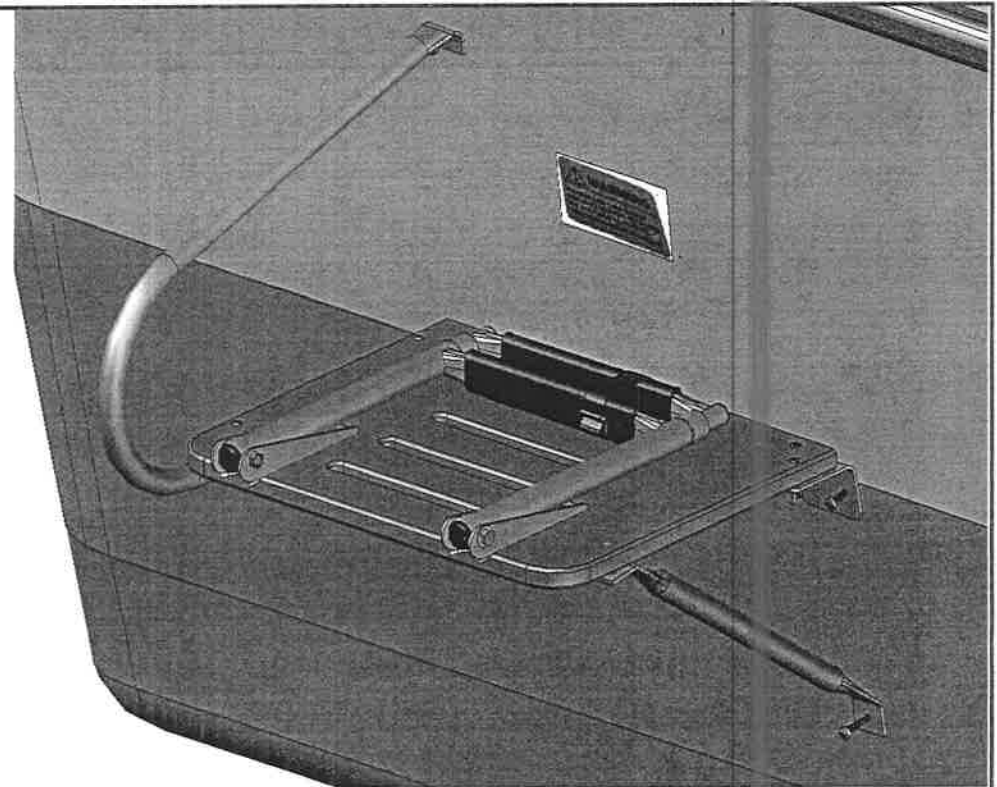
K - 1/4-20 Lock Nuts



L - 1/4" Flat Washers



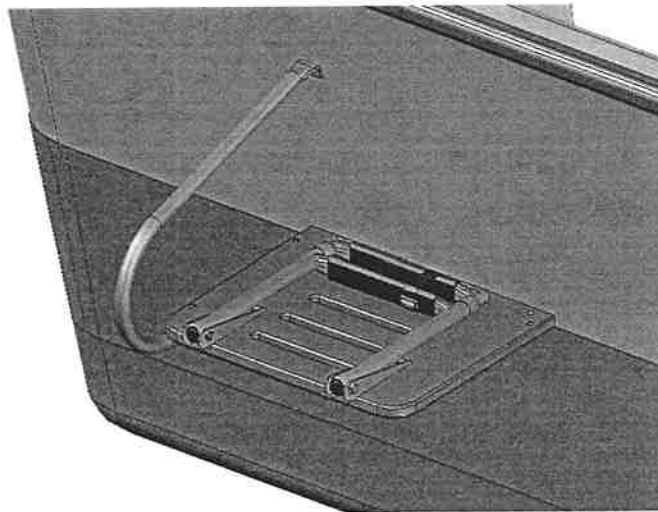
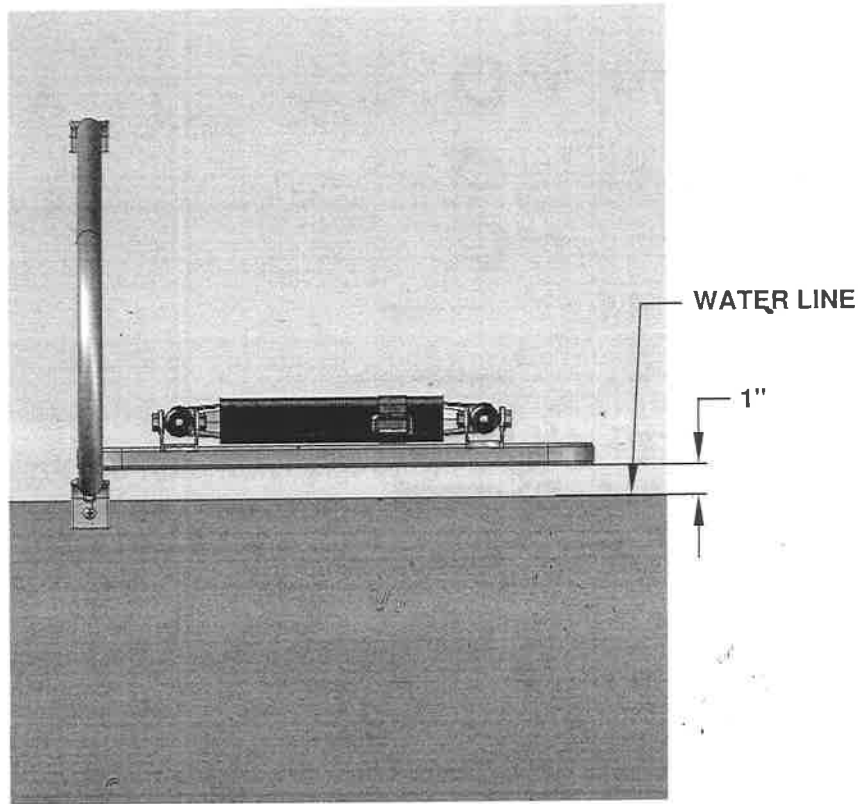
M - #10-24 Lock Nuts



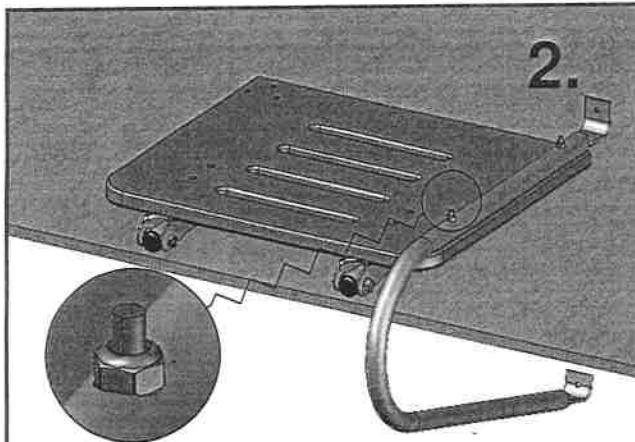
Hardware Kit Includes

| IT# | QTY | DESCRIPTION |
|-----|-----|-------------------------------|
| A | 1 | Swim Platform |
| B | 1 | Grab Rail |
| C | 1 | Support Brace |
| D | 1 | Angle Bracket |
| E | 1 | Caution Label |
| F | 2 | #10-24 x 2" O.H. Bolt |
| G | 4 | #12 x 1 1/2" Screws |
| H | 1 | 1/4-20 x 2 1/2" Hex Bolt |
| I | 1 | 1/4-20 x 2 1/2" Carriage Bolt |
| J | 3 | #10-24 x 1 1/2" O.H. Bolt |
| K | 2 | 1/4-20 Lock Nuts |
| L | 2 | 1/4" Flat Washers |
| M | 5 | #10-24 Lock Nuts |

1.

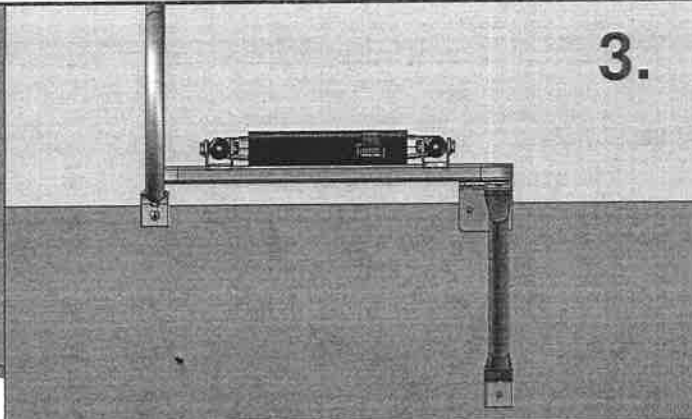


Hold platform and grab rail against the boat to make sure that you have a reasonably flat surface to mount to and that the ladder will fold up properly. Check to make sure the angle bracket and support brace will also have clearance once mounted. The platform should be mounted about 1" above the waterline and about 3/4" away from the boat. Once the position of the platform has been determined mark the location of the holes for the grab rail on the bottom of the platform. The mounting holes for the rails and angle brackets are not pre drilled in order to allow mounting on a slightly curved surfaces. Once the ideal placement for the grab rail is determined place the platform face down on a table to drill pilot holes for the screws that will fasten the grab rail to the platform.



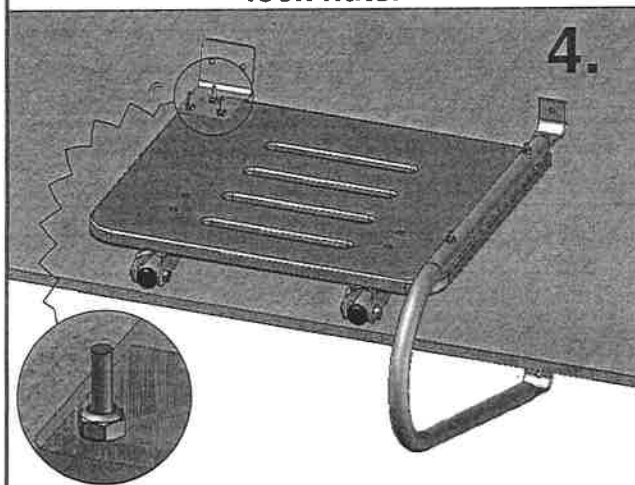
2.

Place platform upside down on a table and drill 7/32" thru holes where the marks for the grab rail were made. Countersink the top side of the holes for a #10 oval head bolt. Attach the grab rail to the bottom of the platform with (2) 10-24 x 2" Bolts and (2) 10-24 lock nuts.



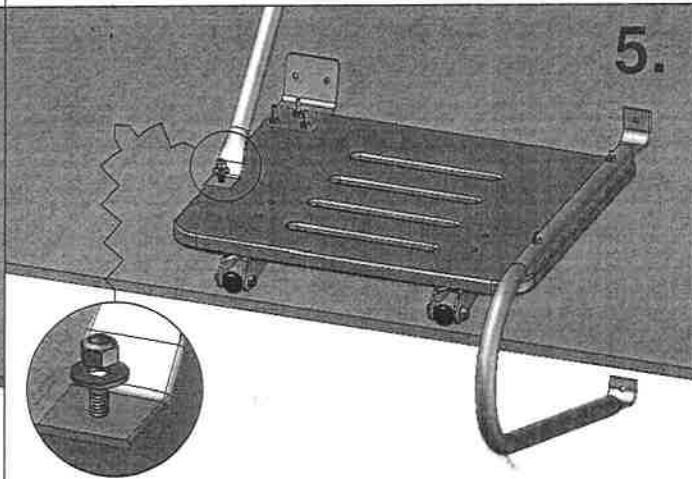
3.

Hold the platform against the boat and find the ideal placement of the angled bracket and the support bracket. Keep in mind that the platform should be 1" from the water line and 3/4" off of the boat. Try and mount the support bracket as far aft as possible. Mark the holes on the platform.



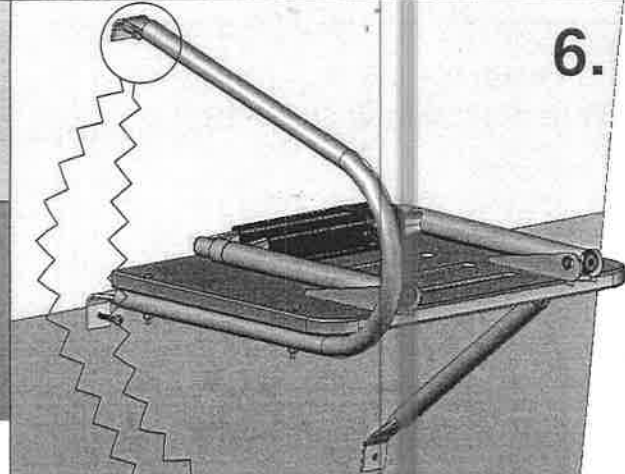
4.

Drill (3) 7/32" thru holes where the holes for the angled bracket were marked. Countersink the top side of the holes. Install the angled bracket to the platform with (3) #10-24 x 1 1/2" bolts and (3) 10-24 lock nuts.



5.

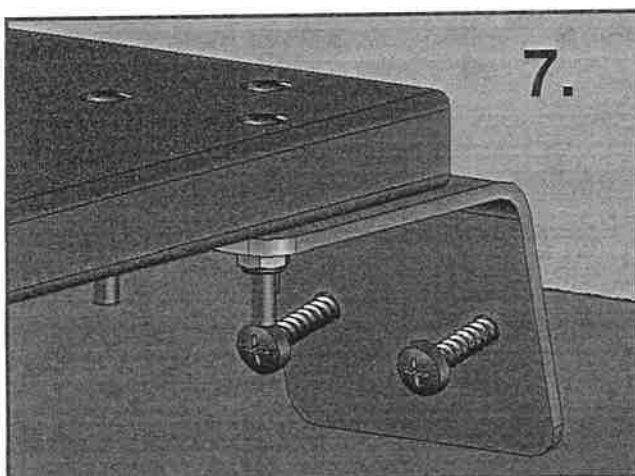
Drill 1/4" thru hole where the mark for the support bracket was made and attach the bracket to the platform with (1) 1/4-20 x 2 1/2" carriage bolt, (1) 1/4" flat washer and (1) 1/4-20 lock nut.



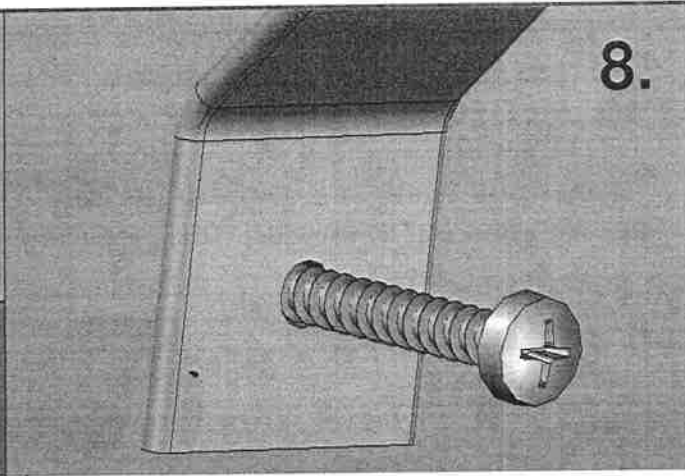
6.

View From Inside of Boat

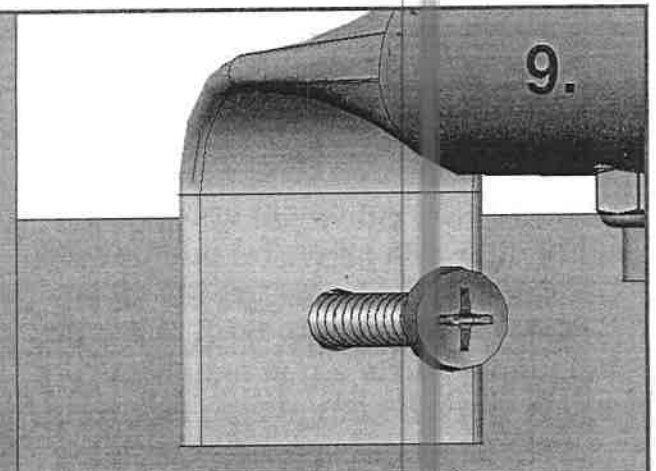
Position platform on boat and mark the upper hole of the grab rail. Drill a 1/4" thru hole at the mark. Mount the top of the grab rail to the boat with (1) 1/4-20 x 2 1/2" hex bolt, (1) 1/4" flat washer, and (1) 1/4-20 lock nut. Apply clear silicon inside the hole to seal.



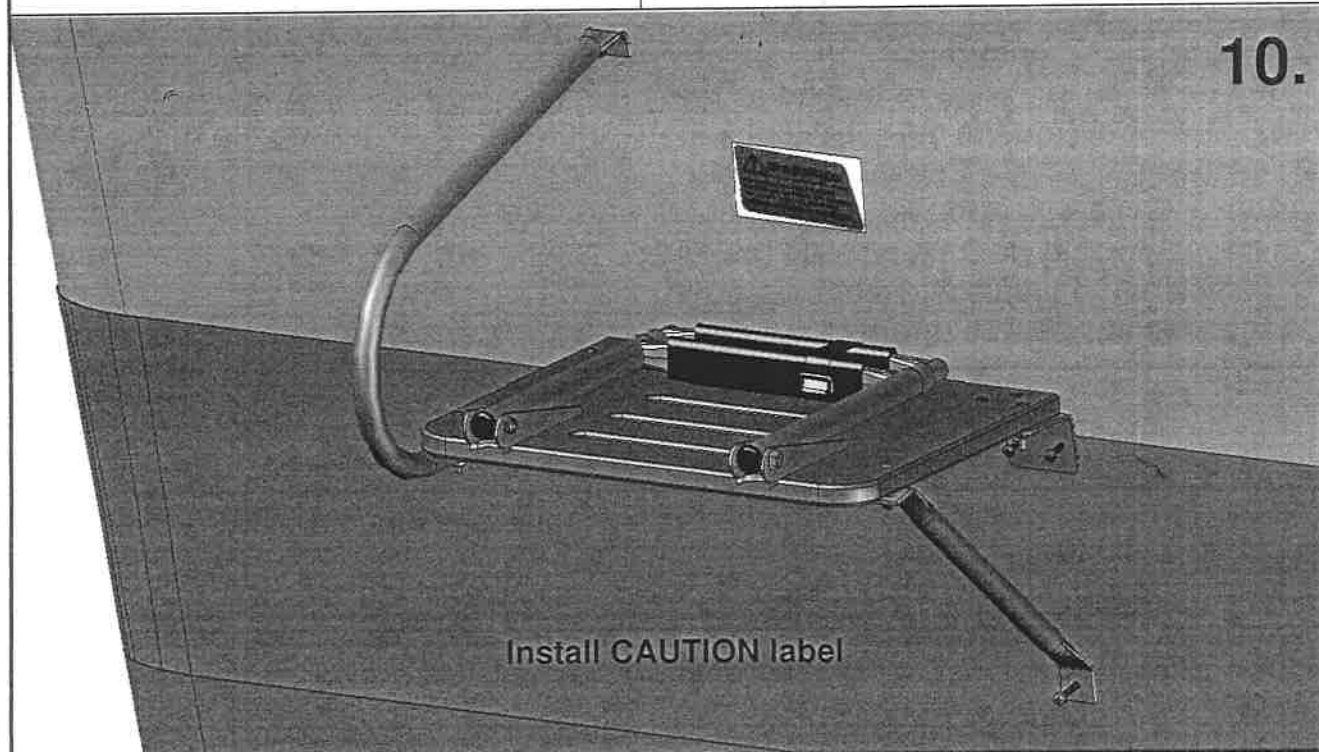
Mark the hole locations of the angle bracket on the boat then drill 3/16" pilot holes at your marks. Screw the angle bracket to the boat with (2) #14 x 1 1/2" screws. Apply clear silicon around the screws to seal.



Mark the hole location of the bottom hole of the support brace then drill 3/16" pilot holes at your marks. Screw the support brace to the boat with (1) #14 x 1 1/2" screw. Apply clear silicon around the screw to seal.



Mark the hole location of the bottom hole of the grab rail then drill 3/16" pilot holes at your marks. Screw the guard rail to the boat with (1) 14 x 1 1/2" screw. Apply clear silicon around the screw to seal.



Install CAUTION label

NOTE: All holes in boat should be sealed with clear silicon sealer