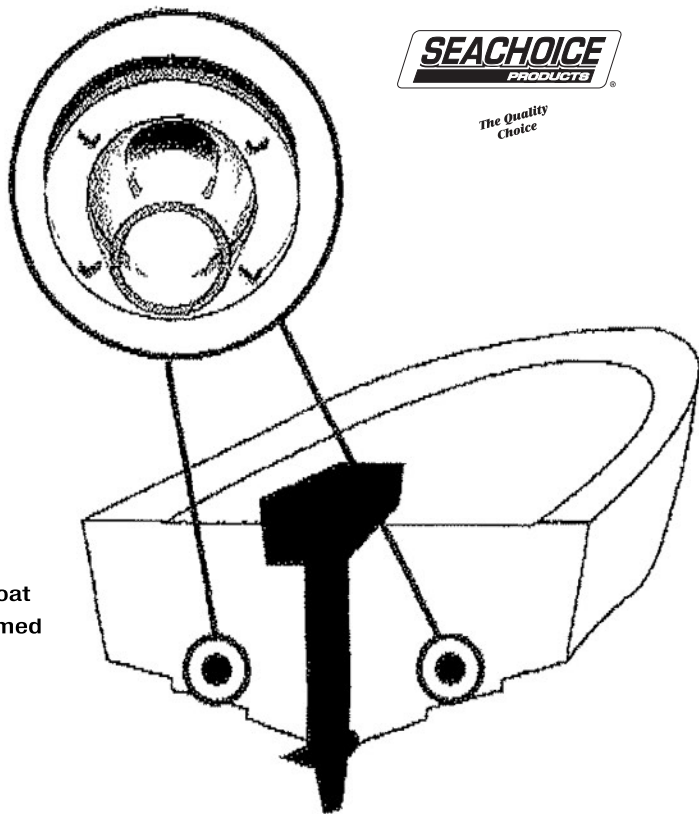


INSTALLATION INSTRUCTIONS

1. Mount gasket and scupper over existing drainage hole using silicone around back of gasket.
 2. Drill screw holes using 5/32 drill bit.
 3. Screw scupper and gasket into place using #10 x 1" or #10 x 3/4" oval head screws.
- Gasket hole must be on bottom
 - Scupper drain hole must face bottom of hull(down).

Not liable for any improper installations. All boat repairs/modifications should always be performed by a licensed and insured professional.



SEACHOICE
PRODUCTS

*The Quality
Choice*